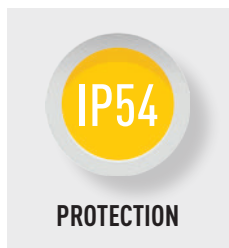


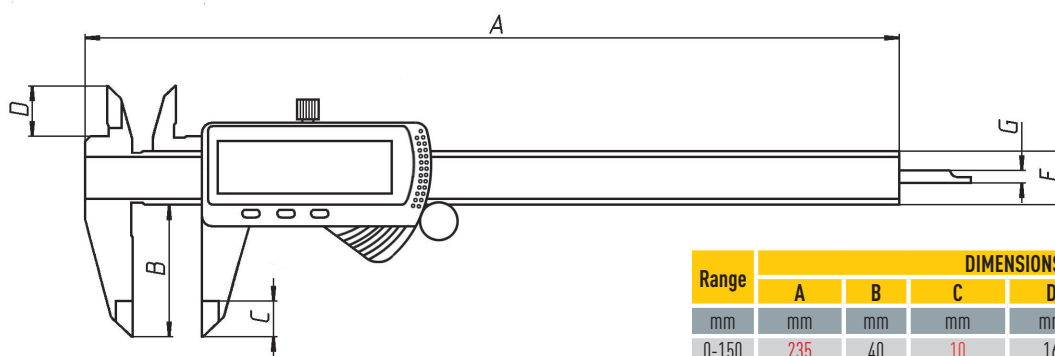
# BIG SCREEN PRECISION CALIPER IP54

- Accuracy better than DIN 862 requirements
- Hand finished measuring surfaces
- Big screen display with 12.5mm digit height
- 10 micron resolution
- Protection class IP-54
- Modification with carbide jaws
- Calibration certificate included (ISO17025 (Ilac MRA))



Item No	Range		Resolution		Accuracy	Protection class	Digit height	Carbide tips	Calibration
	mm	inch	mm	inch					
141083112	0-150	0-6"	0,01	0,0005"	±20	IP-54	12,5	-	+
141083212	0-200	0-8"			±20	IP-54	12,5	-	+
141083312	0-300	0-12"			±30	IP-54	12,5	-	+
MODIFICATION WITH CARBIDE JAWS									
141083112C	0-150	0-6"	0,01	0,0005"	±20	IP-54	12,5	+	+
141083212C	0-200	0-8"			±20	IP-54	12,5	+	+
141083312C	0-300	0-12"			±30	IP-54	12,5	+	+

## DIMENSIONAL DRAWING



Range	DIMENSIONS					
	A	B	C	D	E	G
mm	mm	mm	mm	mm	mm	mm
0-150	235	40	10	16	16	4x1,4
0-200	290	50	10	18	16	4x1,4
0-300	395	60	11	21	16	4x1,4

