

PRECISION CALIPER IP67

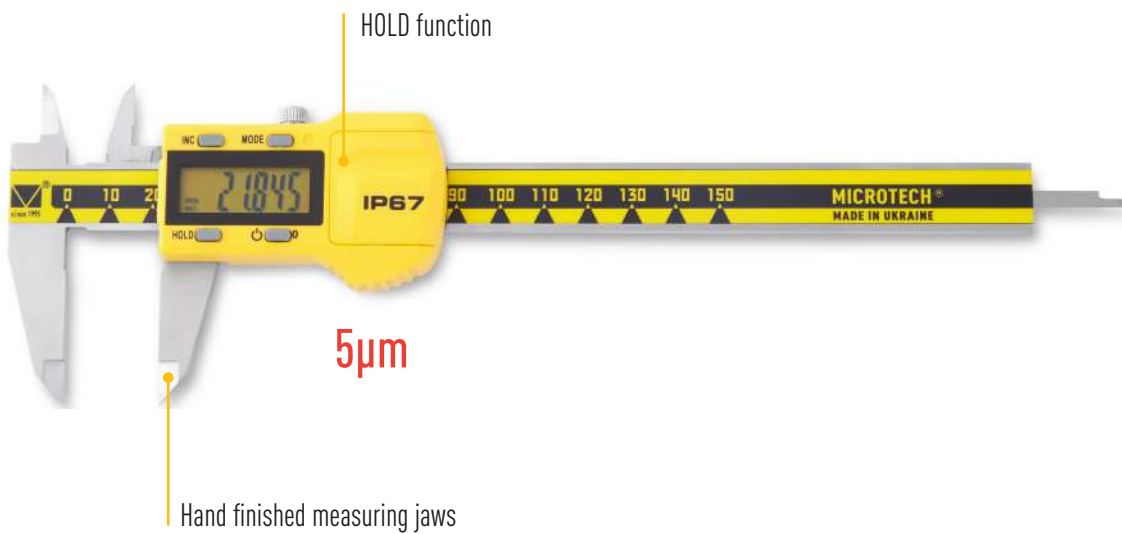
- Accuracy better than DIN 862 requirements
- Hand finished measuring surfaces
- High quality electronic with IP67 proof
- 5 micron resolution
- Calibration certificate included (ISO17025 (Ilac MRA))

IP67

PROTECTION

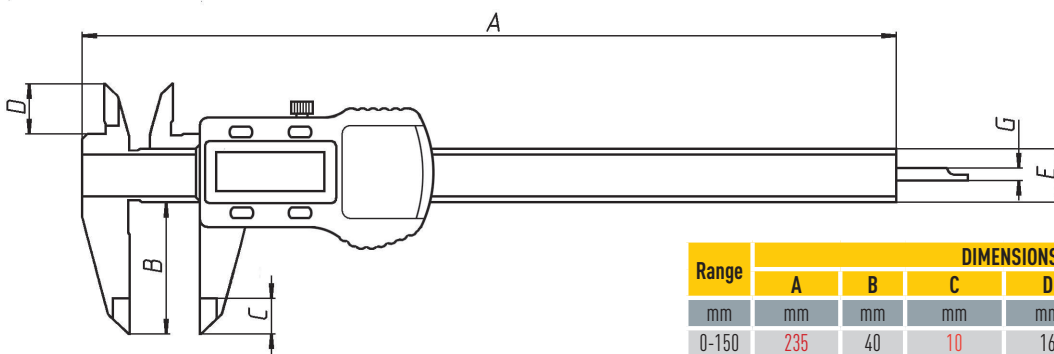
5µm

RESOLUTION



Item No	Range		Resolution		Accuracy	Protection class	Digit height	Calibration
	mm	inch	mm	inch				
141085113	0-150	0-6"	0,005	0.0002"	±20	IP-67	9	+
141085113R	0-150	0-6"			±20	IP-67	9	+
141085213	0-200	0-8"			±20	IP-67	9	+
141085313	0-300	0-12"			±30	IP-67	9	+

DIMENSIONAL DRAWING



Range	DIMENSIONS					
	A	B	C	D	E	G
mm	mm	mm	mm	mm	mm	mm
0-150	235	40	10	16	16	4x1,4
0-200	290	50	10	18	16	4x1,4
0-300	395	60	11	21	16	4x1,4

