



# BIG SCREEN CALIPER MICROTECH USER MANUAL





Item No	Range		Resolution		Accuracy	Jaw	Protection class	Digit height	Carbide tips	Depth rod	Calibration
	mm	inch	mm	inch	µm	mm		mm		mm	ISO17025
141083112	0-150	0-6"	0,01	0,0005"	±20	40/16	IP-54	12,5	-	4x1,4	+
141083212	0-200	0-8"			±20	50/17	IP-54	12,5	-	4x1,4	+
141083312	0-300	0-12"			±30	60/20	IP-54	12,5	-	4x1,4	+
MODIFICATION WITH CARBIDE JAWS											
141083112C	0-150	0-6"	0,01	0,0005"	±20	40/16	IP-54	12,5	+	4x1,4	+
141083212C	0-200	0-8"			±20	50/17	IP-54	12,5	+	4x1,4	+
141083312C	0-300	0-12"			±30	60/20	IP-54	12,5	+	4x1,4	+

## BUTTONS

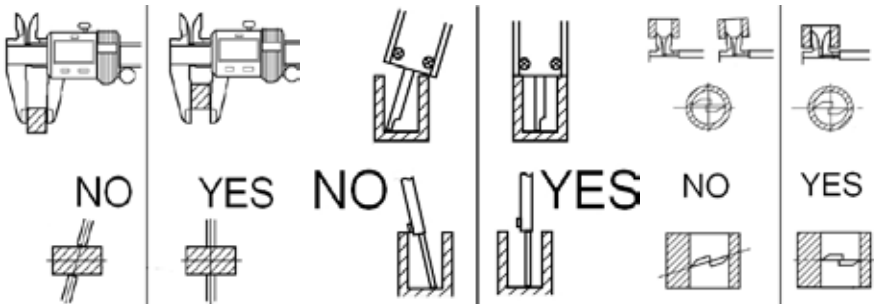


# MAIN INFO



MICROTECH

- Wipe with a clean cloth, soaked in gasoline, measuring surface of the frame and gauge calipers to remove anti-corrosion oil. Then wipe them with a clean dry cloth.
- If necessary, open the battery cover; insert the battery (type CR2032) according to the polarity of the electrodes. Blinking display information or absence suggests replacing battery.
- During the measurement, measuring jaws should to sum to the measured object without knocking.
- During the measurement avoid warps of measuring surfaces of the instrument. Measuring surface must be fully in contact with the measurement object.



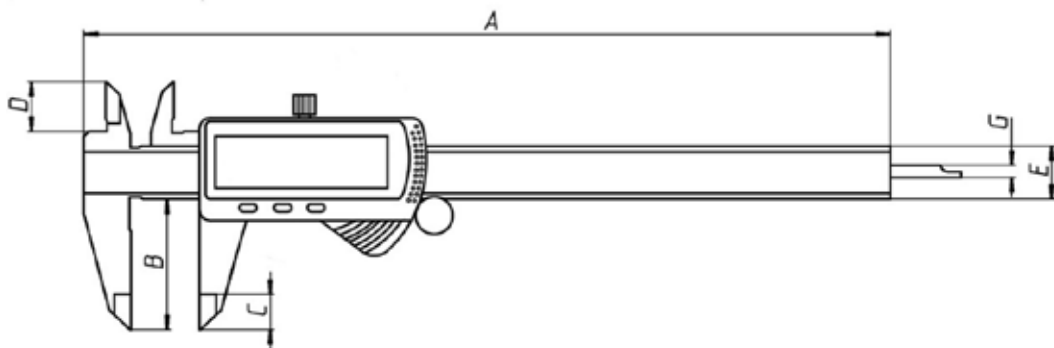
## WARNING!

**IN THE PROCESS OF WORKING WITH CALIPERS SHOULD BE AVOIDED:**

Scratches on the measuring surfaces;

Measuring the size of object in the process of machining;

Shocks or dropping, avoid bending of rod or other surfaces.



Item No	Range		DIMENSIONS					
			A	B	C	D	E	G
	mm	inch	mm	mm	mm	mm	mm	mm
141083112	0-150	0-6"	233	41	10	16	16	4
141083212	0-200	0-8"	290	50	11	16	16	4
141083312	0-300	0-12"	388	60	14	19	16	4
MODIFICATION WITH CARBIDE JAWS								
141083112C	0-150	0-6"	233	41	10	16	16	4
141083212C	0-200	0-8"	290	50	11	16	16	4
141083312C	0-300	0-12"	388	60	14	19	16	4

**MICROTECH**

innovative measuring instruments

61001, Kharkiv, Ukraine, str. Rustaveli, 39

tel.: +38 (057) 739-03-50

[www.microtech.ua](http://www.microtech.ua)[tool@microtech.ua](mailto:tool@microtech.ua)

Change without prior notice

Edition: M1030\_0520