

MICROMETER HEAD

- Patent UA99688, UA103981, UA126928, UA131637, W02016124990 by MICROTECH
- Digital or Sub-micron Computerized micrometer head
- **INTELLIGENT** computerized indication system **MICS** with colour touchscreen display adapted to Industry 4.0
- Functions: Go/NoGo, Max/Min, Memory, Statistic, Timer, Formula, mm/inch, Preset, Calibration date, Lock, Mathematical & Temperature error compensation, Switch off, Brightness, Rotation, Rechargeable Li-Pol battery
- **Wireless** data transfer to Windows, Android, iOS applications with distance up to **50 m**
- **FREE** version of software for Windows PC, Android, iOS tablets and smartphones
- Calibration certificate included (ISO17025 (Iac MRA))



0.1µm



Free Software for Windows, Android, iOS

max 50 m
data transfer distance



0.1µm

NON-ROTATING SPINDLE

4.0

INDUSTRY 4.0
READY

0.1µm

RESOLUTION

IP65

PROTECTION



WIRELESS
DATA TRANSFER



TOLERANCE FUNCTION



MEMORY MANAGER



FORMULA MODE



TEMPERATURE
COMPENSATION



ERROR COMPENSATION



DIGITAL MICROMETER HEAD

Item No	Range		Resolution		Accuracy	Protection class	Calibration
	mm	inch	mm	inch	µm		
110180021	0-25	0-1"	0,001	0.00005"	±2	IP-54	+
110180020	0-25	0-1"			±2	IP-65	+
110181050	0-50	0-2"			±4	IP-65	+

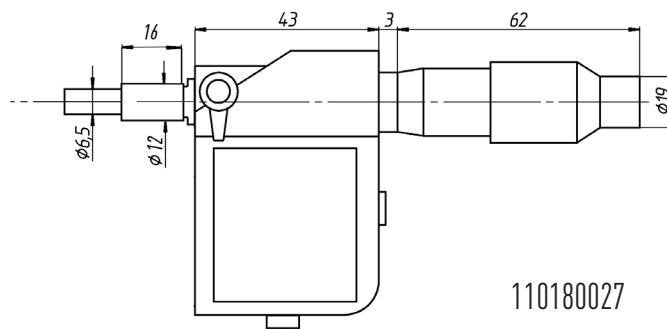
SUB-MICRON COMPUTERIZED MICROMETER HEAD WIRELESS

Item No	Range		Resolution		Accuracy	Protection class	Indication	Data output	Calibration
	mm	inch	mm	inch	µm			Wireless	
110180027	0-25	0-1"	0,0001	0.00001"	±2	IP-65	computerized	max 50m	+
110181057	0-50	0-2"			±3	IP-65	MICS system with 1,54" touchscreen	max 50m	+

SUB-MICRON COMPUTERIZED MICROMETER HEAD (NON ROTATING)

Item No	Range		Resolution		Accuracy	Protection class	Indication	Data output	Calibration
	mm	inch	mm	inch	µm			Wireless	
110181027	0-25	0-1"	0,0001	0.00001"	±2	IP-65	computerized MICS system with 1,54" touchscreen	max 50m	+

DIMENSIONAL DRAWING



COMPUTERIZED MICS SYSTEM FUNCTIONS

MENU

-0.0000

0

TOUCHSCREEN OPERATION

ERGONOMIC MENU

ALL

+7.3563

-0.1109

+1.2293

+26.9993

-8.8673

INTERNAL MEMORY

Statistic

MAX: +26.999

MIN: 8.8673

AVG: +5.3213

D: +26.863

STATISTIC INFO

Resolution

X.0000

Millimeters

RESOLUTION UP TO 0,1 MICRON

MENU

-1.7210

0

COLOUR GO/NOGO

MENU

7.2241

0

MAX/MIN READING

Formula

AX+BX+C

Set Argv

FORMULA MODE (PRESET AND OTHER)

Temp.comp.

Glass, Quartz

Solid alloys, Mo

+00.00

TEMPERATURE COMPENSATION FOR 7 TYPES OF MATERIALS

0: 0.8970

C: 0.8920

OK

RESET

MATHEMATICAL ERROR COMPENSATION

Display

Angle 180

Sleep 15s

DISPLAY ROTATION AND BRIGHTNESS

Timer

+000 sec.

RESET

DATA TRANSFER BY TIMER

Calibration

DAY MONTH YEAR

01 01 2020

CHANGE

CALIBRATION DATACONTROL

Link to software

FREE SOFTWARE FOR WINDOWS, ANDROID, IOS

MENU

1.5337

0

DATA TRANSFER BY TOUCH-SCREEN OR BUTTON PUSH

