

VIDEO



MICRON FORCE CALIPER MICROTECH

USER MANUAL



Calibration ISO 17025:2017

ISO 9001
BUREAU VERITAS
Certification



ISO 9001:2015

Item No	Range		Resolution	Accuracy	Force ext	Protection	Display	Data output
	mm	inch			N			
141099192	0-150	0-6"	0,001	±5	8	IP-67	Swiss Digital Digit 11mm	RS-232
141099293	0-199	0-8"		±7				IP-67

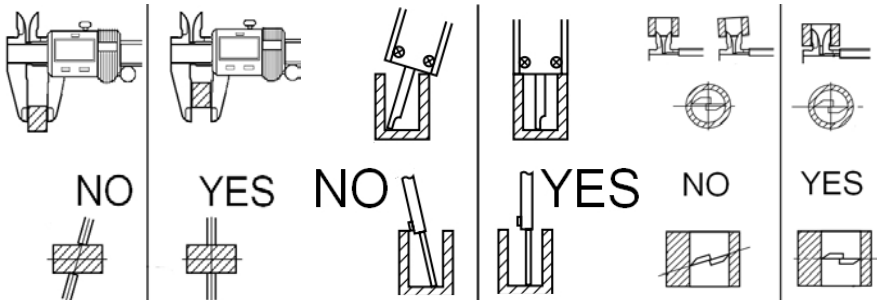
*MAX ERROR FOR INTERNAL END DEPTH MEASUREMENTS DIN-862

BUTTON FUNCTIONS



2s for mm/inch change

2s for ZERO
4s for SLEEP



OPERATION INSTRUCTIONS



Wipe with a clean cloth, soaked in gasoline, measuring surface of the frame and gauge calipers to remove anti-corrosion oil. Then wipe them with a clean dry cloth.

If necessary, open the battery cover; insert the battery (type CR2032) according to the polarity of the electrodes. Blinking display information or absence suggests replacing battery.

This caliper has Autoswitch on/ off function:

- move electronic module for switch on caliper
- after 10 minutes without any moving caliper will switch off

Check the zero setting of the caliper. Sum the measuring jaws to contact with each other. Force is generated with a measuring force indication. To create the low force (**8N**) by the block adjustment and press SET button 2s. During the measurement, measuring jaws should to sum to the measured object without knocking.

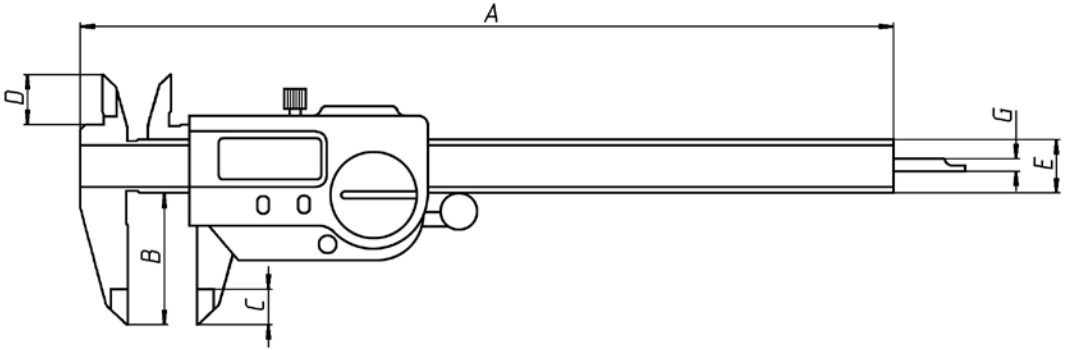
During the measurement avoid warps of measuring surfaces of the instrument. Measuring surface must be fully in contact with the measurement object.

Measuring force for this size caliper $8\pm 2N$. During a measuring process control measuring Force on Measuring force indication window.

After finishing work wipe the measuring surfaces of the caliper with a cloth soaked in gasoline and apply anticorrosion oil

DIGITAL BLOCK CHARACTERISTIC

Item No	Range
	mm
Repeatability	10 μ
Max slider speed	max 2,5 m/s
Display refresh rate	>10/s
Mean power consupt.	45 μ A
Battery life	8000 h
IP specification	IP67 (IEC60529)



Item No	Dimensions						Protection	Display
	A	B	C	D	E	G		
	mm	mm	mm	mm	mm	mm	IP	
141099192	235	40	10	16	16	4x1,4	IP-67	Swiss Digital
141099293	290	50	10	18	16	4x1,4	IP-67	

OPTIONAL ACCESORIES



ACCESORIES SET'S AND DEPTH BASES

FUNCTIONS

FORCE 8 N
 SWISS IP67 ELECTRONICS
 HAND FINISHED SURFACES
 CR2032 3V BATTERY

MM/INCH
 PRESET
 POSITION MEMORIZED
 AUTO WAKE UP & SWITCH OFF