

CONSTANT PREASSURE THICKNESS GAUGES

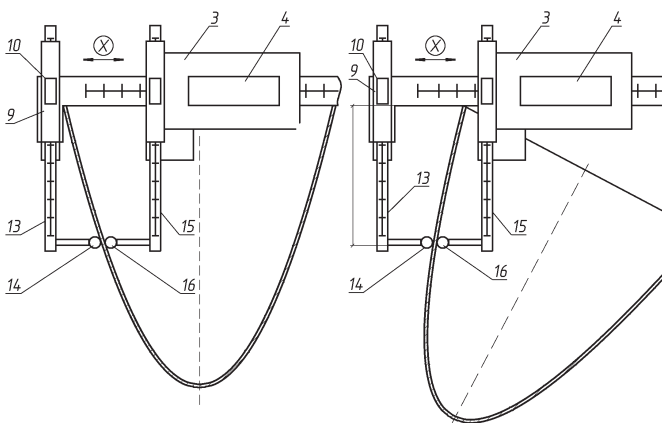
- CONSTANT pressure Thickness gauge
- Dial, Digital or Computerized electronics
- MODIFICATION with **WIRELESS** data transfer **3 MODES DATA TRANSFER**: **WIRELESS** to MDS app (Windows, Android, iOS, MacOS); **WIRELESS HID, WIRELESS HID+MAC**
- Calibration certificate included (ISO17025 (Ilac MRA))



Item No	Range	Resolution	Accuracy	Force	Display	Data output
	mm	mm	µm	mPA		
137320101	0-1	0,001	±5	0.1	Dial	-
137320105	0-5		±5		Digital	
137320108		0,0001	±3	Computerized	WIRELESS +USB	

2D THICKNESS GAUGE

- 2D Thickness gauge for deep and complex shapes measuring. Control Z (jaws depth) and X (depth and range) axes
- Functions: Go/NoGo, Max/Min, Formula, Timer, Linear correction, Temperature correction, Resolution selecting, Connection status
- Memory manager: 2000 values, Folders system, Statistics mode, Memory data transfer
- **3 MODES DATA TRANSFER**: **WIRELESS** to MDS app (Windows, Android, iOS, MacOS); **WIRELESS HID, WIRELESS HID+MAC**
- Calibration certificate included (ISO17025 (Ilac MRA))



Item No	Range		Resolution		Accuracy		Display	2D connect	Probe connect	On-line Graphic	Analog scale	Preset	Go/NoGo	Max/Min	Formula	Timer	Temp comp	Linear corr	Calibr date	Connect. status	Recharge batt	Memory	Wireless	USB	Color Display
	X	Z	Z	X	Z	X																			
	mm	mm	mm	mm	µm	µm																			
149020307	0-300	0-150	0,001	0.005	±30	±30	Digital	•	•	•	•	•	•	•	•	•	•	•	•	•	•	•	•	•	•
149020507	0-500				±50	±30		•	•	•	•	•	•	•	•	•	•	•	•	•	•	•	•	•	•