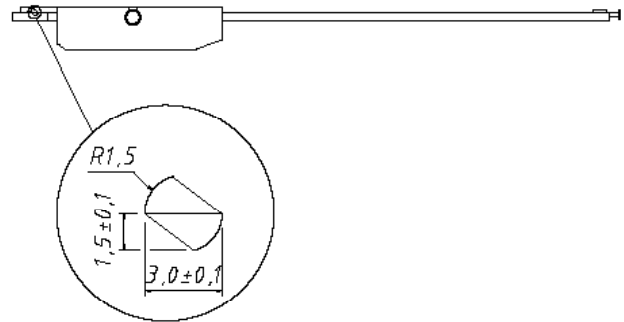
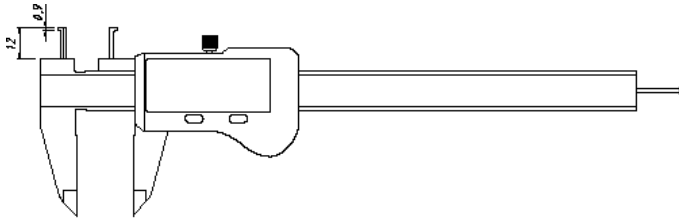


SMALL GROOVES DIGITAL CALIPER IP67

- Patent UA121314 by MICROTECH
- For small holes and grooves internal measurements (from d= 3mm)
- Modification with High level Swiss electronic with big screen. Protection class **IP-67**
- Modification with Built in Wireless data transfer to Windows, Android, iOS devices with distance up to **50 m**
- Modification with self lubrication patented technology (Pat. UA121314 by MICROTECH)
- Calibration certificate included (ISO17025 (Ilac MRA))

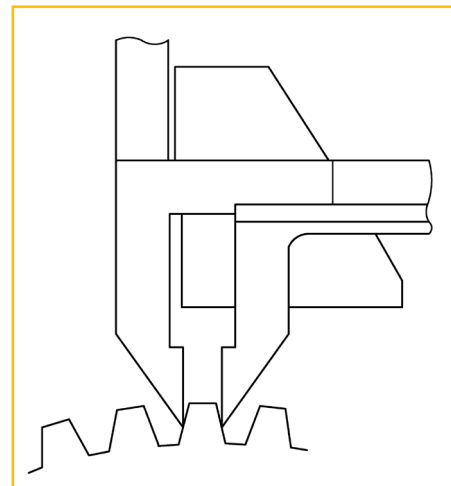


Item No	Range		Resolution		Accuracy	Lubrication system	Waterproof	Digit height	Data output	Calibration
	External	Internal	mm	inch						
141830153	0-150	0-6"	3-150	0,12-6"	±30	+	IP67	11,5	-	+
141831154			3-150	0,12-6"	±30	+	IP67	11,5	max 30m	+
141830203	0-200	0-8"	3-200	0,12-8"	±30	+	IP67	11,5	-	+
141831204			3-200	0,12-8"	±30	+	IP67	11,5	max 30m	+
141830303	0-300	0-12"	3-300	0,12-12"	±30	+	IP67	11,5	-	+
141831304			3-300	0,12-12"	±30	+	IP67	11,5	max 30m	+

GEAR TOOTH DIGITAL CALIPER

- For measure the thickness of gear teeth at the pitch line, hobs, form and thread tools, etc.
- electronic indication with 5 micron resolution
- Calibration certificate included (ISO17025 (Ilac MRA))

Item No	Range	Resolution		Waterproof	Digit height	Calibration
		mm	inch			
142022600	M1-25	0,005	0.0002"	IP54	9	+
142025000	M1-50			IP54	9	+



5µm
RESOLUTION

IP54
PROTECTION

