

LOW-FORCE CALIPER IP54

- Patent US10429165, UA100613, UA121314 by MICROTECH
- **Low force (0,8N)** version for soft materials
- Modification with carbide tips on upper and lower jaws
- External Force control module 0.8N
- Calibration certificate included (ISO17025 (Iac MRA))



5µm

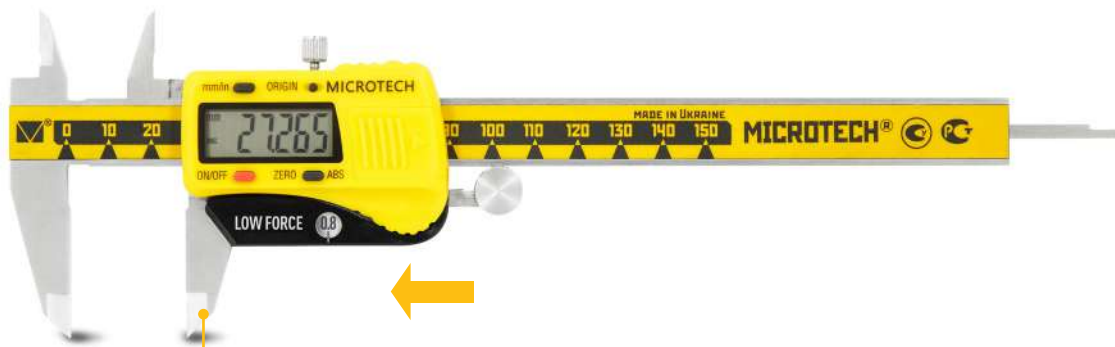
RESOLUTION

IP54

PROTECTION

0.8N

LOW FORCE

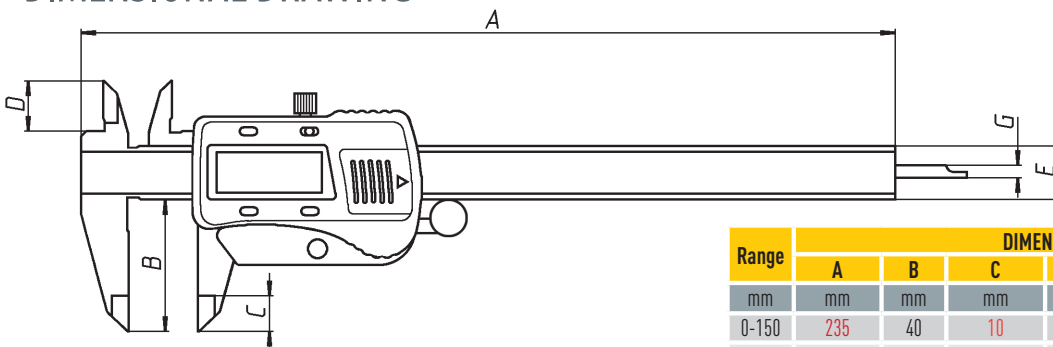


LOW FORCE 0,8N
for soft materials

Hand finished measuring jaws

Item No	Range		Resolution		Accuracy	External Force	Protection class	Carbide tips	Digit height	Calibration
	mm	inch	mm	inch						
141088153	0-150	0-6"	0,005	0.0002"	±30	0,8	IP-54	-	9	+
141088253	0-200	0-8"			±30	0,8	IP-54	-	9	+
141088353	0-300	0-12"			±40	0,8	IP-54	-	9	+
MODIFICATION WITH CARBIDE JAWS										
141088153C	0-150	0-6"	0,005	0.0002"	±30	0,8	IP-54	+	9	+
141088253C	0-200	0-8"			±30	0,8	IP-54	+	9	+
141088353C	0-300	0-12"			±40	0,8	IP-54	+	9	+

DIMENSIONAL DRAWING



Range	DIMENSIONS					
	A	B	C	D	E	G
mm	mm	mm	mm	mm	mm	mm
0-150	235	40	10	16	16	4x1,4
0-200	290	50	10	18	16	4x1,4
0-300	395	60	11	21	16	4x1,4

