

DOUBLE JAW DIGITAL CALIPER IP54

- Symetric jaws caliper for external measurings
- Digital IP54 caliper.
- Calibration certificate included (ISO17025 (Ilac MRA))

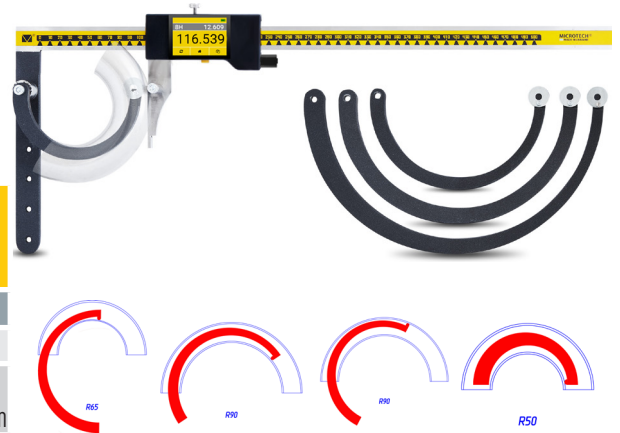


Item No	Range		Resolution	Accuracy	Jaws	Proof	Display
	mm	inch			External		
141111155	0-200	0-8"	0,005	±60	150	IP54	Digit height 9mm

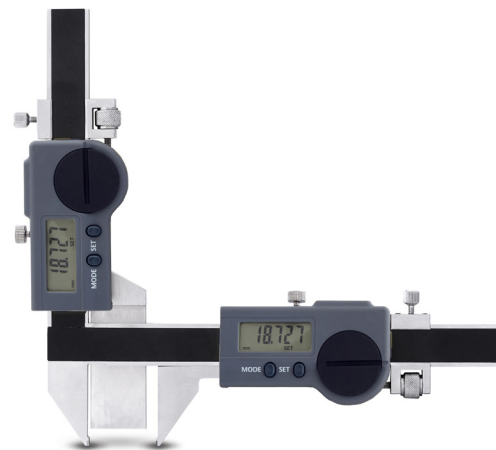
CURVED TUBE WALLS GAUGE SET

PAT.US10184772 PAT.UA144031

Item No	Tube radius	Max Wall thickness	Tube diameter	Resolution	Accuracy	Interchangeable jaws	Display
149010010	mm	mm	mm	mm	µm		Digital
149010030	55-150	0-350	25-45	0,01	±50	4pcs/set	Color 1.5" Touchscreen
					±40		



GEAR TOOTH DIGITAL CALIPER IP67



Item No	Range mm	Resolution mm	Proof	Display
142022600	M1-25	0,005	IP54	Digit height 9mm
142025000	M5-50			
MICRON GEAR TOOTH CALIPER				
142022606	M1-25	0,001	IP67	Digit height 9mm
142025006	M5-50			

