



STAND FOR SOFT MATERIALS

USER MANUAL





Item No	Range	Resolution	Base	Measuring plate	Plate Weight	Pressing
	mm	mm	mm	mm	g	kPA
1430300SP02	0-300	0,01	300x300	200x200	82+-2	0.02

TEST PROCESS

1. Setting zero

- 1.1 Move dial indicator to zero position using fine adjustment wheel on height gauge
- 1.2 Preset 0.2mm on dial test indicator
- 1.3 Set Zero on height gauge digital module
- 1.4 Set Zero on dial test indicator (moving bezel to zero position)

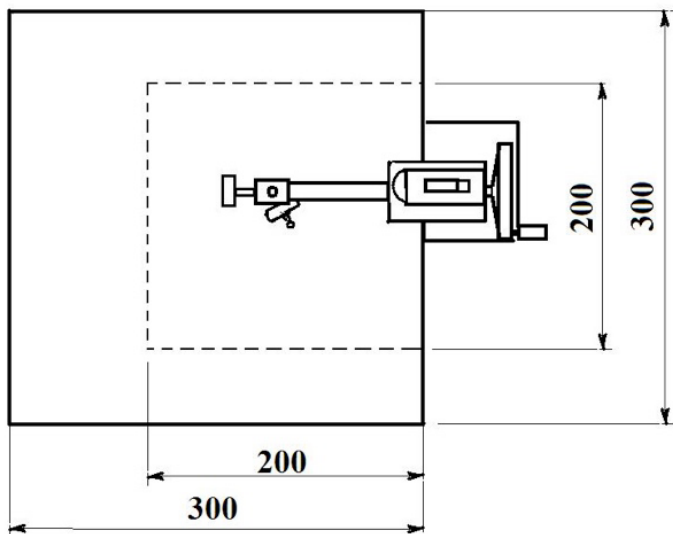
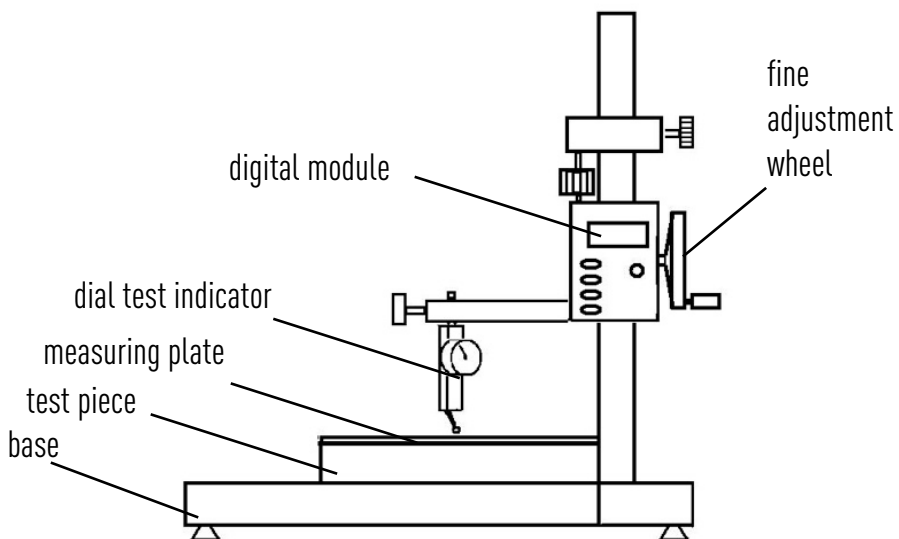
2. Measuring process

- 2.1 Move up dial test indicator with using fine adjustment wheel on height gauge
- 2.2 Install test piece between measuring plate and base plate
- 2.3 Move dial indicator to test piece with using fine adjustment wheel on height gauge
- 2.4 Use dial indicator to check contact with measuring plate
- 2.5 Read actual value of height gauge digital module

DIMENSIONS



MICROTECH





MICROTECH

MICROTECH

innovative measuring instruments

61001, Kharkiv, Ukraine, str. Rustaveli, 39

tel.: +38 (057) 739-03-50

www.microtech.ua

tool@microtech.ua

Change without prior notice

Edition: M1030_0520