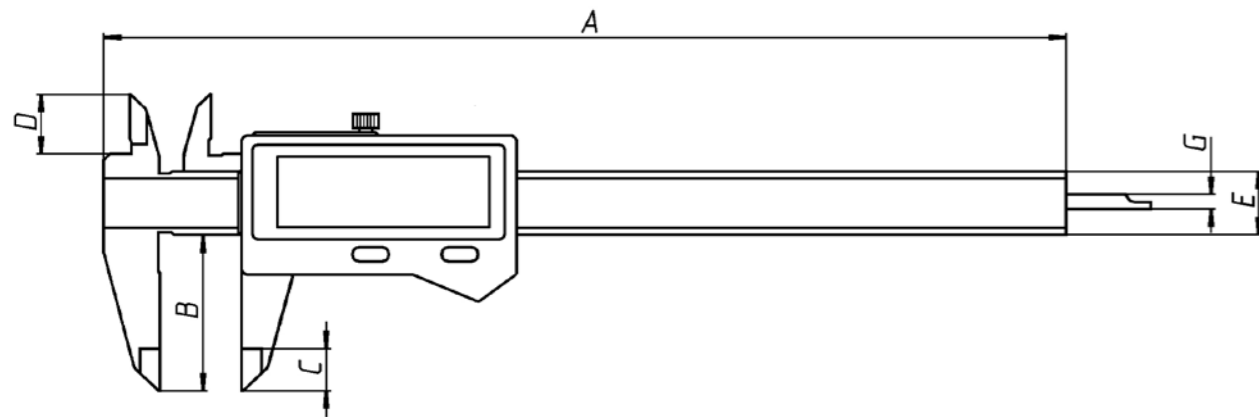


Item No	Range		Resolution	Accuracy	DIMENSIONS						Display	Protection
	mm	inch			A	B	C	D	E	G		
141075112	0-150	0-6"	0,001	±15	235	40	10	16	16	4x1,4	Digit height 12mm	IP-67
141075212	0-200	0-8"		±15	290	50	10	18	16	4x1,4		IP-67
141075312	0-300	0-12"		±20	395	60	11	21	16	4x1,4		IP-67



OPTIONAL ACCESORIES



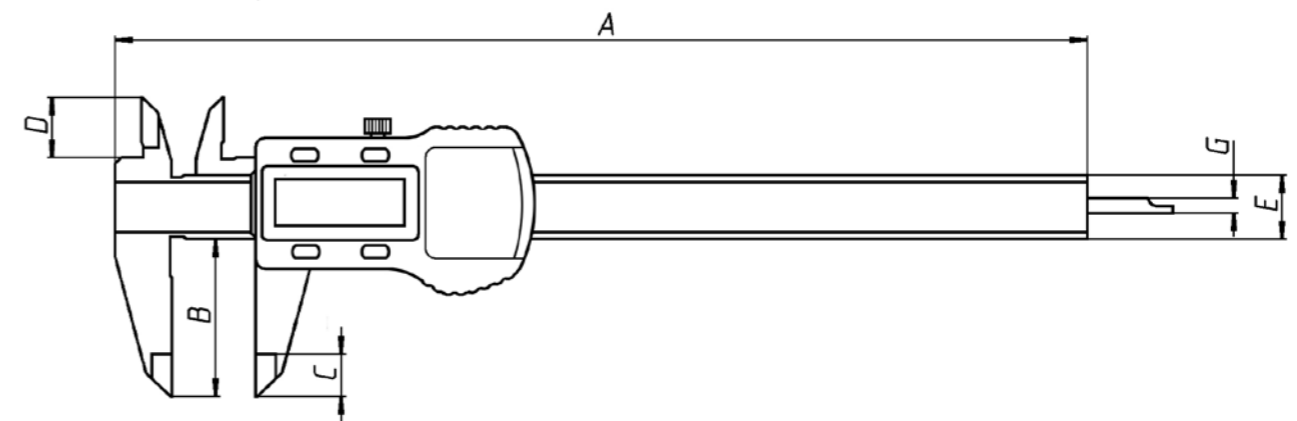
ACCESORIES SET'S AND DEPTH BASES

FUNCTIONS

- MM/INCH
- IP67 ELECTRONICS
- HAND FINISHED SURFACES
- CR2032 3V BATTERY



Item No	Range		Resolution	Accuracy	DIMENSIONS						Display	Protection
	mm	inch			A	B	C	D	E	G		
141085113	0-150	0-6"	0,005	±20	235	40	10	16	16	4x1,4	Digit height 9mm	IP-67
141085213	0-200	0-8"		±20	290	50	10	18	16	4x1,4		IP-67
141085313	0-300	0-12"		±30	395	60	11	21	16	4x1,4		IP-67



OPTIONAL ACCESORIES



ACCESORIES SET'S AND DEPTH BASES

FUNCTIONS

- MM/INCH
- IP67 ELECTRONICS
- HAND FINISHED SURFACES
- CR2032 3V BATTERY