



Item No	Range		Resolution	Accuracy	Micrometer head	Anvils types	Protection class
	mm	inch					
110180254	0-25	0-1"	0,001	±2	friction rotating	D 6.5mm	IP65
110180504	25-50	1-2"		±2			IP65
110180754	50-75	2-3"		±2			IP65
110181004	75-100	3-4"		±3			IP65
110181254	100-125	4-5"		±4			IP65
110181504	125-150	5-6"		±4			IP65



Item No	Range		Resolution	Accuracy	Micrometer head	Anvils types	Protection class
	mm	inch					
110700254	0-25	0-1"	0,001	±2	friction	D 7.5mm	IP65
110700504	25-50	1-2"		±2	non-rotating		

FUNCTIONS

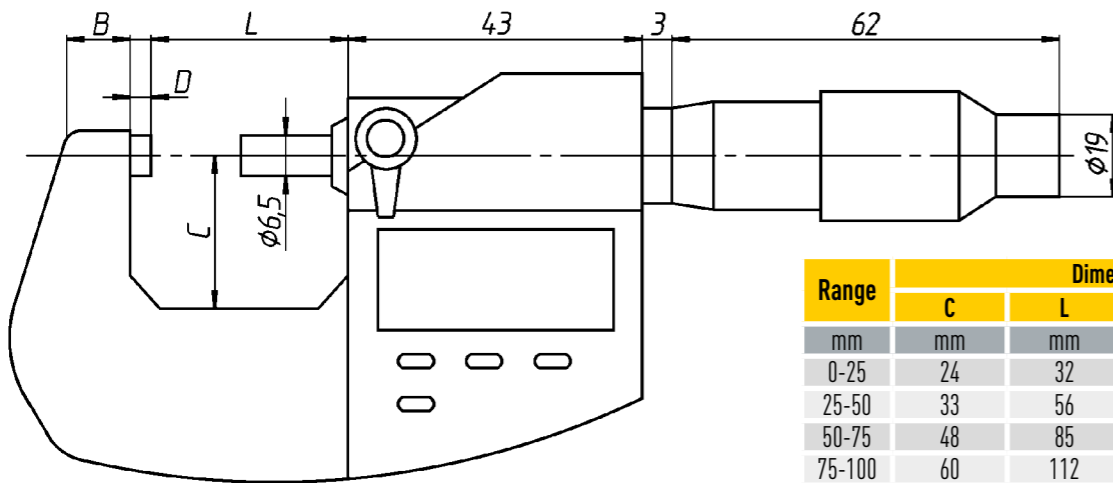
- MM/INCH
- HOLD
- ORIGIN
- ABS/INC
- AUTO OFF



Item No	Range		Resolution	Accuracy	Micrometer head	Anvils types	Protection class
	mm	inch					
110180514	0-50	0-2"	0,001	±3	friction rotating	D 6.5mm	IP65
110181014	50-100	2-4"		±4	IP65		

FUNCTIONS

- MM/INCH
- HOLD
- ORIGIN
- ABS/INC
- AUTO OFF



Range	Dimensions			
	C	L	B	D
mm	mm	mm	mm	mm
0-25	24	32	7	3
25-50	33	56	8	3
50-75	48	85	12	3
75-100	60	112	12	3
100-125	73	135	14	3
125-150	86	160	16	3

OPTIONAL ACCESORIES



FUNCTIONS

- MM/INCH
- HOLD
- ORIGIN
- ABS/INC
- AUTO OFF

MADE IN EUROPE