

3 BASES

ISO 17025
CALIBRATION



DIGITAL PROTRACTOR MICROTECH USER MANUAL



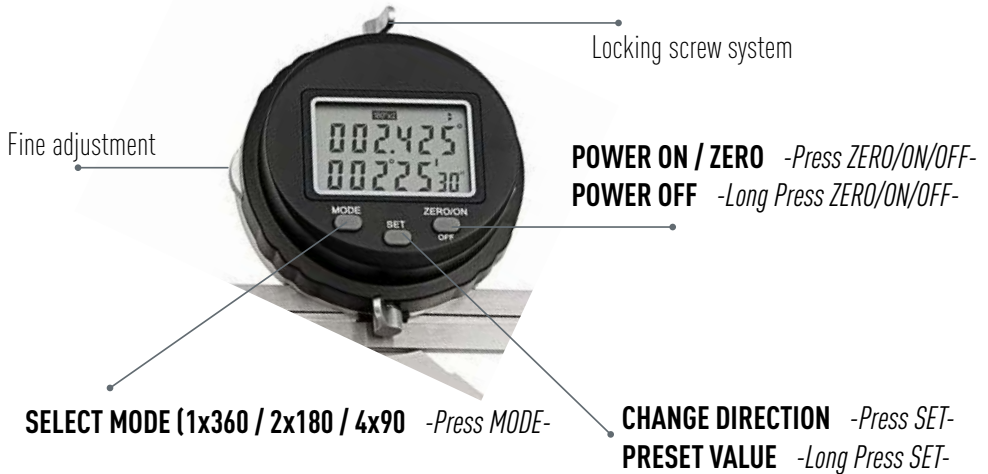
ISO17025:2017



ISO 9001:2015

Item No	Range	Resolution		Accuracy		Fine adjustment wheel	Base	Contact force	Material	Display
		sec of arc	grad	min of arc		mm				
151136051	0-360	10"	0.005	±5'		+	150,200,300	>1,5	Stainless steel	Digital 2x lines

BUTTON FUNCTIONS



FUNCTIONS

HAND FINISHED SURFACES
 BASES 150, 200, 300MM
 c2032 3V BATTERY

OPERATION INSTRUCTIONS

- Wipe with a clean cloth, soaked in gasoline, measuring surface to remove anti-corrosion oil. Then wipe them with a clean dry cloth.
- If necessary, open the battery cover; insert the battery (type **CR2032**) according to the polarity of the electrodes. Blinking display information or absence suggests replacing battery.
- During the measurement avoid warps of measuring surfaces of the instrument. Measuring surface must be fully in contact with the measurement object.
- Use fine adjustment module for precision moves
- Use locking screw system to change blades
- After finishing work wipe the measuring surfaces of the caliper with a cloth soaked in gasoline and apply anticorrosion oil.

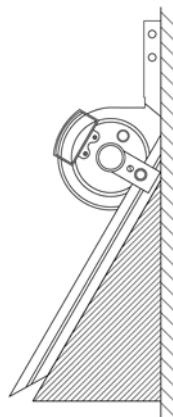
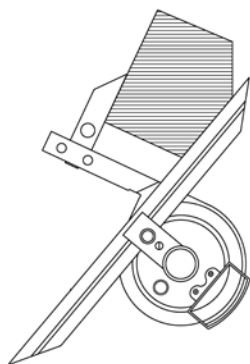
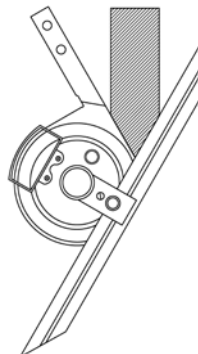
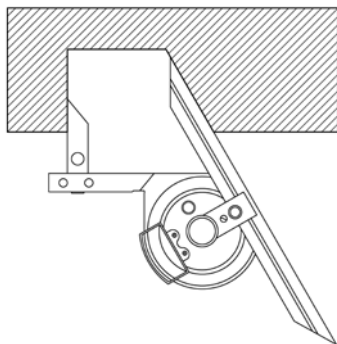


WARNING!

IN THE PROCESS OF WORKING WITH PROTRACTOR SHOULD BE AVOIDED:

Scratches on the measuring surfaces;

Measuring the size of object in the process of machining;



MICROTECH

innovative measuring instruments

61001, Kharkiv, Ukraine, str. Rustaveli, 39

tel.: +38 (057) 739-03-50

www.microtech.ua

tool@microtech.ua

Change without prior notice