

LINEAR
CORRECTION

TEMP
COMPENSATION

ISO 17025
CALIBRATION

USB
HID

0,1µm



MICROTECH
0-25mm 0-1'
IP65

MENU
2.7749
0

IP65

LIMITS

TIMER

MAX/MIN

AX²+BX+C

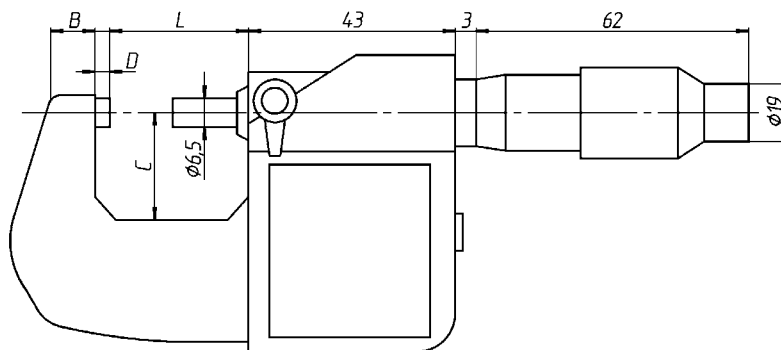
MEMORY

LI-POL
BATTERY

TOUCHSCREEN

MAGNETIC
CHARGER

Item No	Range		Resolution	Accuracy	Repeatability	Protection class	Dimensions				Display	Data output
	mm	inch					C	L	B	D		
110180268	0-25	0-1"	0,0001	±1,0	0,5	IP-65	24	32	7	3	Color 1.5" Touch-screen	WIRELESS+USB
110180258				±1,5	0,5							
110180508	25-50	1-2"		±1,6	0,5	IP-65	33	56	8	3		
110180758	50-75	2-3"		±1,8	0,8	IP-65	48	85	12	3		
110181008	75-100	3-4"		±2,0	0,8	IP-65	60	112	12	3		
110181258	100-125	4-5"		±3,5	1,0	IP-65	73	135	14	3		
110181508	125-150	5-6"		±3,0	1,0	IP-65	86	160	16	3		
110181758	150-175	6-7"		±3,5	1,0	IP-65				3		
110182008	175-200	7-8"		±3,5	1,0	IP-65				3		
110182258	200-225	8-9"		±4,0	1,0	IP-65				3		
110182508	225-250	9-10"		±4,0	1,0	IP-65				3		
110182758	250-275	10-11"		±4,0	1,0	IP-65				3		
110183008	275-300	11-12"	±4,0	1,0	IP-65				3			
DOUBLE RANGE MICROMETER												
110180517	0-50	0-2"	0,0001	±2,5	0,8	IP-65	33	56	8	3	Color 1.5" Touch-screen	WIRELESS+USB
110181017	50-100	2-4"		±2,5	0,8	IP-65	60	112	12	3		



OPTIONAL ACCESORIES



- ITEM 299110100 EXTERNAL MICRO POWERBANK 1000MAH
- ITEM 299110200 EXTERNAL SLIM POWERBAN 5000MAH
- ITEM 299110500 EXTERNAL PRI POWERBANK 20000MAH

FUNCTIONS

- LIMITS (Go/NoGo)
- PEAK VALUES (Max/Min)
- MEMORY, WITH STATISTICS
- TIMER
- FORMULA AX^2+BX+C
- MM/INCH
- PRESET
- CALIBRATION DATE CONTROL
- PIN LOCK

- LINEAR CORRECTION
- TEMPERATURE COMPENSATION
- RECHARGEABLE LI-POL BATTERY
- MAGNETIC CHARGING SOCKET

- WIRELESS** APPS FOR WINDOWS, ANDROID, iOS
DATA TRANSFER TO MDS
- USB** HID DATA TRANSFER DIRECT TO WINDOWS,
MACOS, ANDROID, LINUX APP'S