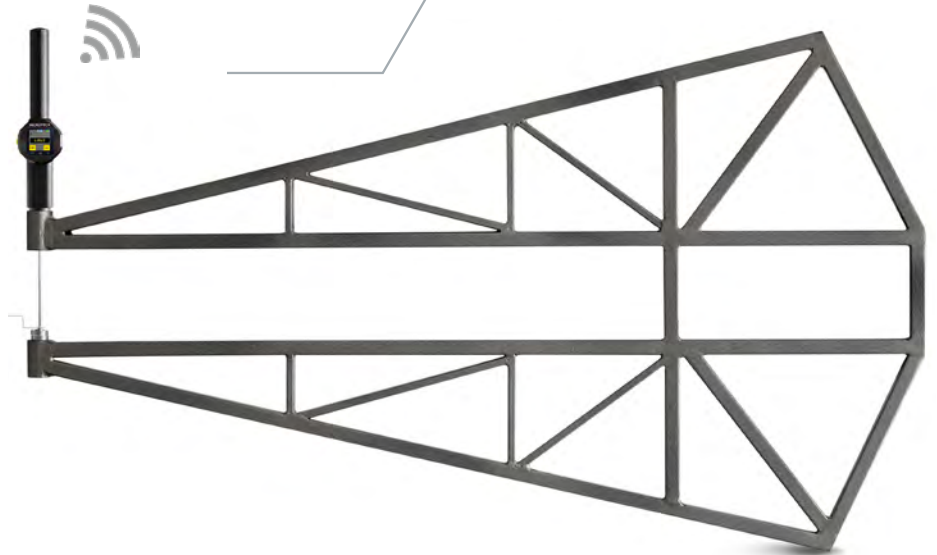
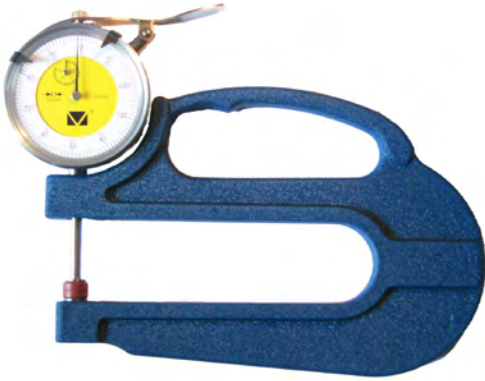


TEMP
COMPENSATION

ISO 17025
CALIBRATION

USB
HID

0,1 μ m



LIMITS

MAX/MIN

AX²+BX+C

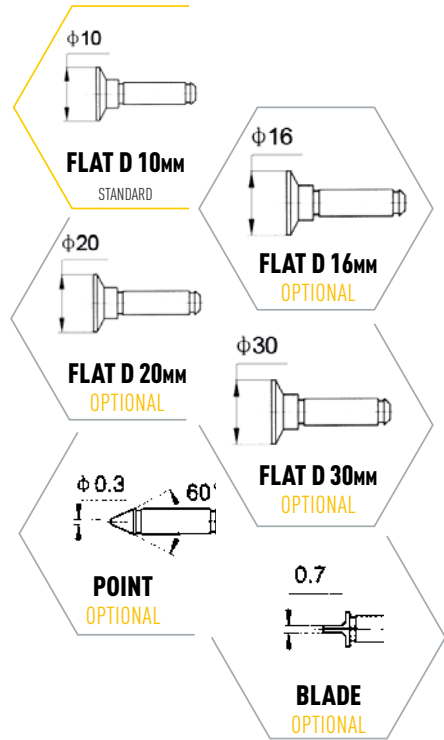
MEMORY

LI-POL
BATTERY

TOUCHSCREEN

TIMER

Item No	Range	Depth	DIAL		DIGITAL		COMPUTERIZED	
			res. 10 μm	res. 1 μm	res. 10 μm	res. 1 μm	resolution 0,1 μm	
			Accuracy	Accuracy	Accuracy	Accuracy	Accuracy	Data output
	mm	mm	μm	μm	μm	μm	μm	μm
13700102X	0-1	25	-	± 5	-	± 3	± 3	WIRELESS+USB
13701012X	0-10	120	± 30	± 12	± 20	± 12	± 11	WIRELESS+USB
13702012X		200	± 30	± 15	± 25	± 15	± 14	
13702012X	0-20	120	± 40	± 15	± 25	± 15	± 14	WIRELESS+USB
13702520X	0-25	200	± 40	± 18	± 30	± 18	± 16	WIRELESS+USB
13702540X		400	± 50	± 25	± 40	± 25	± 22	
13705020X	0-50	200	± 50	± 20	± 40	± 20	± 18	WIRELESS+USB
13705030X		300	± 60	± 25	± 40	± 25	± 21	
13705040X		400	± 70	± 30	± 50	± 30	± 25	
13705060X		600	± 80	± 35	± 60	± 35	± 32	
13705080X		800	± 90	± 40	± 80	± 40	± 45	
13710020X	0-100	200	± 50	± 20	± 40	± 20	± 20	WIRELESS+USB
13710040X		400	± 70	± 30	± 50	± 30	± 27	
13710060X		600	± 80	± 40	± 60	± 40	± 36	
13710080X		800	± 100	± 55	± 90	± 55	± 48	



***X in item No:**

- 1-dial bore gauge with dial indicator 10 micron resolution
- 5-dial bore gauge with dial indicator 1 micron resolution
- 3-digital bore gauge with digital indicator 10 micron resolution
- 8-digital bore gauge with digital indicator 1 micron resolution
- 7-bore gauge with computerized indicator 0.1 micron resolution



OPTIONAL ACCESORIES



FUNCTIONS

- LIMITS (Go/NoGo)
- PEAK VALUES (Max/Min)
- MEMORY, WITH STATISTICS
- TIMER
- FORMULA aX^2+bX+c
- MM/INCH
- PRESET
- CALIBRATION DATE CONTROL
- PIN LOCK

- LINEAR CORRECTION
- TEMPERATURE COMPENSATION
- RECHARGEABLE LI-POL BATTERY
- MAGNETIC CHARGING SOCKET

WIRELESS APPS FOR WINDOWS, ANDROID, iOS
DATA TRANSFER TO MDS

USB HID DATA TRANSFER DIRECT TO WINDOWS, MacOS, ANDROID, LINUX APP'S