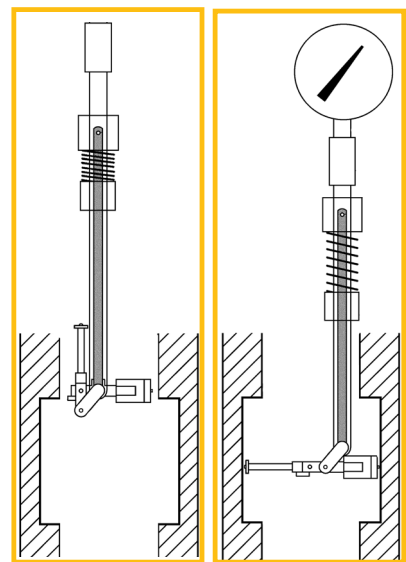


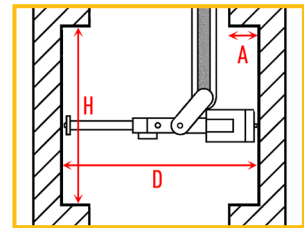
BORE GAUGE FOR BLOCK BORES, RECESSES AND GROOVES

- Patent UA 99686, UA126928, UA131637 by MICROTECH
- Retractable construction of measuring part or block bores, grooves and recesses
- For the determination of internal diameters, where a smaller bore lying in front of this diameter, has to be passed
- Depth up to 3000 mm
- Modifications with dial indicator (0.01 mm), Digital indicators (0.001 mm) and Computerized indicator (0.0001 mm)
- Functions: Go/NoGo, Max/Min, Memory manager, Mathematical & Temperature error compensation (for Computerized version)
- Built in Wireless data transfer to Windows, Android, iOS devices (for Computerized)
- Calibration certificate included (ISO17025 (Ilac MRA))



INSERT MEASURE

max A=20mm
min H=D-30mm
(if measure D=100mm,
min H=70mm)



RETRACTABLE DIAL BORE GAUGE

Item No	Range	Depth	Resolution	Accuracy	Calibration
	mm	mm	mm	μm	ISO17025
139160800	70-160	150	0,01	±20	+
139160811		1000		±30	+
139250800	160-250	150		±20	+
139250811		1000		±20	+
139450800	250-450	150		±30	+
139450811		1000		±030	+

RETRACTABLE DIGITAL BORE GAUGE

Item No	Range		Depth	Resolution	Accuracy	Calibration
	mm	inch	mm	mm	μm	ISO17025
139160800	70-160	2.8-6.5"	150	0,001	±15	+
139160811			1000		±25	+
139160822			2000		±30	+
139160833			3000		±35	+
139250800			150		±15	+
139250811			1000		±25	+
139250822	160-250	6.5-10"	2000	±30	+	
139250833			3000	±035	+	
139450800			150	±15	+	
139450811	250-450	10-18"	1000	±25	+	
139450822			2000	±30	+	
139450833			3000	±35	+	



RETRACTABLE COMPUTERIZED BORE GAUGE

Item No	Range		Depth	Resolution	Accuracy	Indication	Data output	Calibration
	mm	inch					mm	
139160700	70-160	2.8-6.5"	150	0,0001	±12	computerized MICS system with 1,54" touchscreen	max 50 m	+
139160711			1000		±20		max 50 m	+
139160722			2000		±25		max 50 m	+
139160733			3000		±30		max 50 m	+
139250700			150		±12		max 50 m	+
139250711			1000		±20		max 50 m	+
139250722	160-250	6.5-10"	2000	±25	max 50 m	+		
139250733			3000	±30	max 50 m	+		
139450700			150	±12	max 50 m	+		
139450711	250-450	10-18"	1000	±20	max 50 m	+		
139450722			2000	±25	max 50 m	+		
139450733			3000	±30	max 50 m	+		

0,1 μm



MICROTECH

since 1995



www.microtech.ua



ISO 17025



ISO 9001:2015